

Specifications

1 Lighting (EcoPlus LED back lit light box):

Color temperature: 6500K
 Strict LED binning standards assure consistent & high quality illumination
 State of the art back lit technologies provide uniform illumination for the Luminous SkyTile graphic
 Housed in a white powder-coated, extruded (non-ferrous) aluminum frame
 Moisture and chemical resistant
 Each unit has a four knock-out junction box
 Use in MRI, and other RF-free environments

2 Luminous SkyTile (lens):

Acrylic, Acrylite, or polycarbonate substrate
 Lightweight & durable
 High resolution reproduction from proprietary digital image file
 Color-calibrated for daylight quality light source
 Non-glare matte finish
 Fade resistant pigmented inks containing UV inhibitors
 Designed to fit Luminous SkyTile Standard Elevator

3 Classic Elevator (frame):

Moisture resistant, light weight aluminum
 1.25" (31.8mm) vertical profile
 Quick and easy installation
 Powder coated, white matte finish to match standard grid
 Compatible with standard 15/16" grid systems
 Precision machined corners, seamless architectural appearance

4 Perimeter and Grid:

Armstrong Prelude Plus white aluminum 15/16" ceiling grid pre-cut to fit
 PVC perimeter pre-molded, cut to length, mounted on a framing plate and painted to match grid

UL, CSA, and CE Certified:

EP and EPCST Series when used with 24PS HLG Power System,
 UL Listed or CE Compliant power supply fully certified by Intertek Group plc

Electrical:

24V DC, Amps and Watts varies per EP & EPCST Series fixture size
 Approx. .25 Amps, 6 Watts per square foot (30cm x 30cm)
 Sky Factory 24PS HLG Power System
 Converts 90-305V AC to 24V DC
 Size and quantity per installation calculated by Sky Factory
 Power system aluminum enclosure
 Mounted on baseplate with junction box on input and output ends
 See 24PS HLG Power System Technical Specifications sheet
 Sky Factory provided HLG dimmable power supply (International Only)
 Converts 90-305V, 47-63 Hz to 24V DC
 Client provided UL Listed or CE Compliant power supply
 Must convert V AC to 24V DC
 Items not provided:
 AC wiring between fuse/breaker panel and 24V DC power system
 DC wiring between 24V DC power system and EcoPlus light box
 Dimmer wiring between 24V DC power system and switch/dimmer control box
 RFI/EMI filters for MRI installations
 See Elliptical w/ EcoPlus Installation Instructions; and
 Custom EcoPlus Electrical Packet (24PS HLG), Electrical Instructions (HLG) or
 Electrical Instructions (Fixture Only)

STANDARD ELLIPSE (X AND Y AXES) POWER CONSUMPTION				
	5' x 9'	6' x 8'	6' x 10'	9' x 12'
WATTS	178.3	198.4	247.3	445.6

Ceiling Clearance Dimensions:

Minimum space required above ceiling grid: 7.25" (18.5cm) – 11" (28cm)
 depending on extent of fixture pre-assembly before installation in grid, and access to adjacent grid sections

Installation:

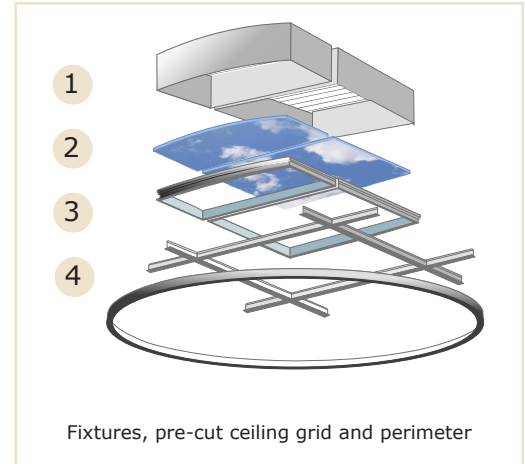
Elevators, tiles and luminaires easily installed into standard 15/16" grid systems provided.
 Elliptical SkyCeilings are designed to be recessed into a variety of hard ceilings.

Elliptical EcoPlus

EP-ELP

Ceiling Grid Mount

Back Illuminated Sky Image Ceiling

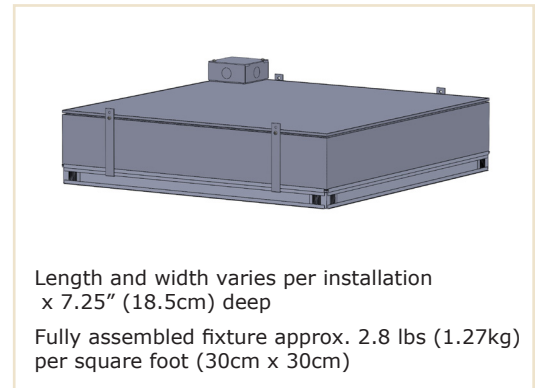


Fixtures, pre-cut ceiling grid and perimeter

Key Attributes:

15/16" (24mm) ceiling grid mount
 Low profile – 7.25" (18.5cm) high
 6500 Kelvin – cool daylight
 Non-ferrous, RF-free construction

Dimensions and Weight



Length and width varies per installation
 x 7.25" (18.5cm) deep

Fully assembled fixture approx. 2.8 lbs (1.27kg)
 per square foot (30cm x 30cm)

Configurations:

For sample configurations, go to skyfactory.com

US Patent Information:

Our products, systems, and methods may be protected by one or more of the following US Patents:
 Pat. 9,164,011, Pat. 8,851,700, Pat. 7,959,316,
 and Pat. 7,481,550, as well as other patents pending.